

## RT28 Series Reflective Encoders

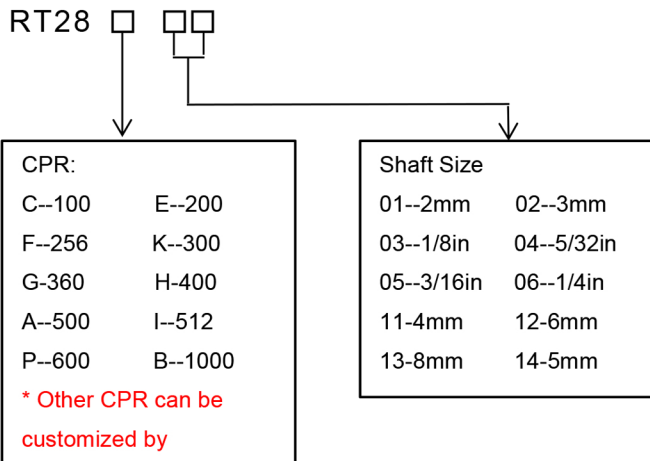
## Product Description

RT28 series reflective encoder with PCBA and integrated housing design, with code disc, can output two channels of differential signals ranging from 100~1000CPR.

This product is suitable for small size DC motor, stepping motor and servo motor.



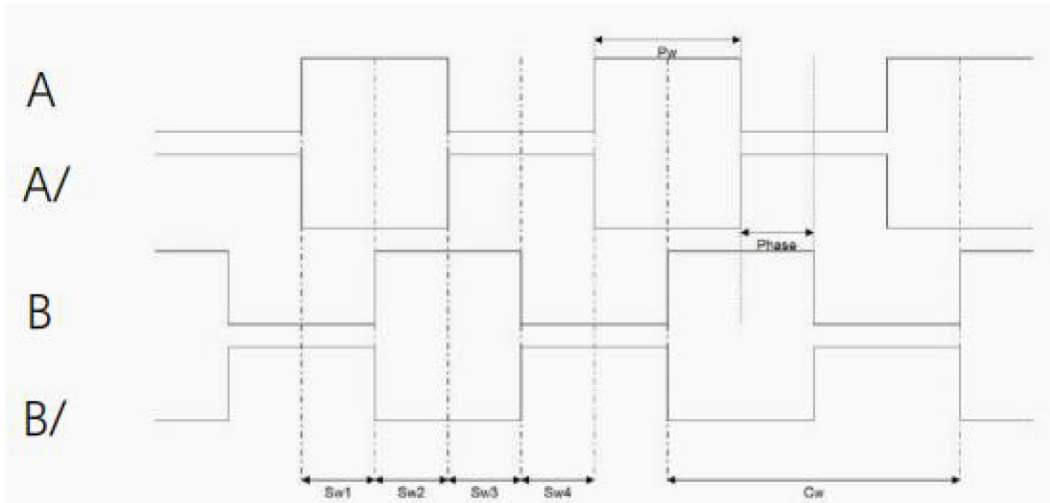
## Product Model



## Technical indicators

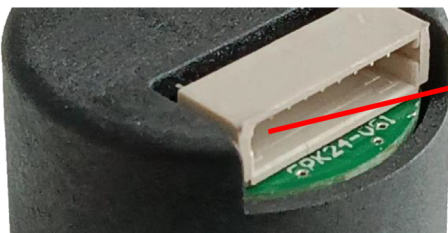
Supply voltage	3.3V-5V
Maximum speed	8000 RPM
Output Method	Voltage type A, B; Differential type A, A/, B, B/
Operating Temperature	-40 °C ~+85 °C

## Waveform Diagram



## Pin Definition

Line Number	1	2	3	4	5	6
Differential Definition	Vcc	Gnd	A	A/	B	B/
Voltage Type Definition	Vcc	Gnd	A	NC	B	NC



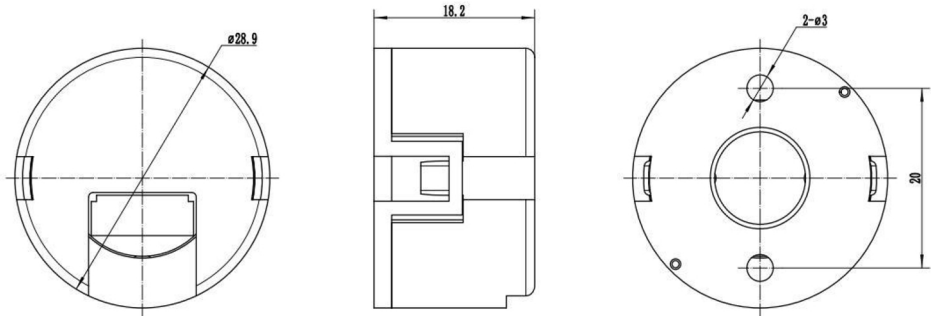
Line number 1

Plug Recommended  
Model: SHR-09V-S

# RT28 Series Reflective Encoders

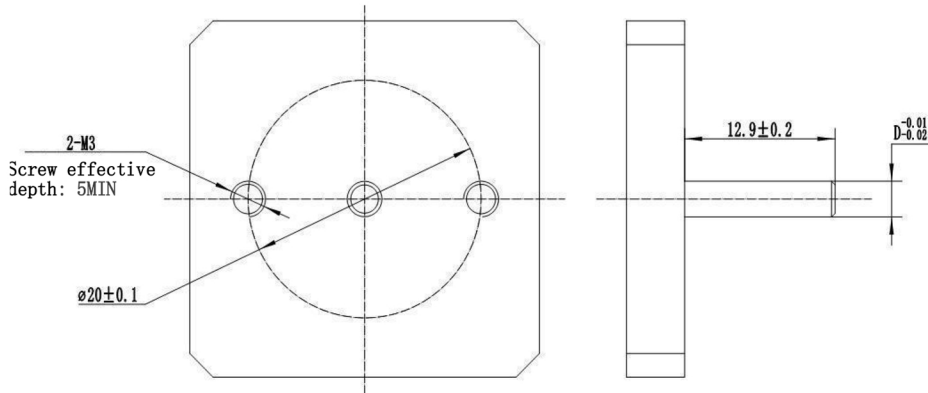
ENCODERS

## Mechanical Dimension Drawing



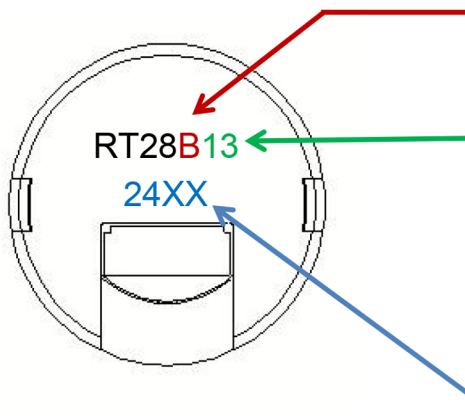
Unit: mm

## Dimensions Of Motor End Face and outgoing shaft length



Motor shaft axial play  $\leq 0.1$  mm

## Model Print



**RT28B13**  
**24XX**

The sixth and seventh digits represent the shaft diameter size:

01--2mm	02--3mm
03--1/8in	04--5/32in
05--3/16in	06--1/4in
11-4mm	12-6mm
13-8mm	14-5mm

24 represent year 2024

Fifth delegate CPR:

C--100	E--200
F--256	K--300
G--360	H--400
A--500	I--512
P--600	B--1000